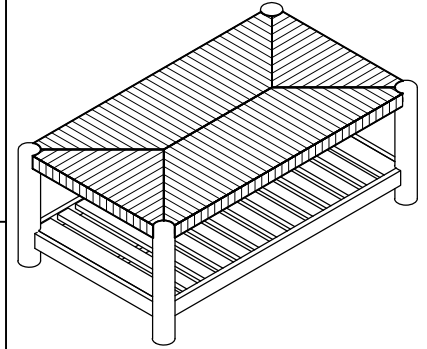


**Warning :**

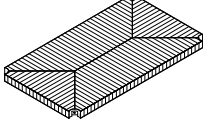
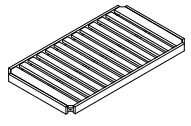





- Be sure to check all packing material carefully for small parts, which may have come loose inside the carton during shipment.
- To prevent possible scratches and damage, this furniture **MUST BE ASSEMBLED BY TWO PEOPLE** on a soft surface such as a blanket or carpet.

**Important Use Information:** We recommend using coasters, placemats and trivets when placing hot or cold containers on this item. It is also recommended to quickly cleanup any spills to minimize exposure to moisture. Doing so will prolong the life and look of the item for many years.

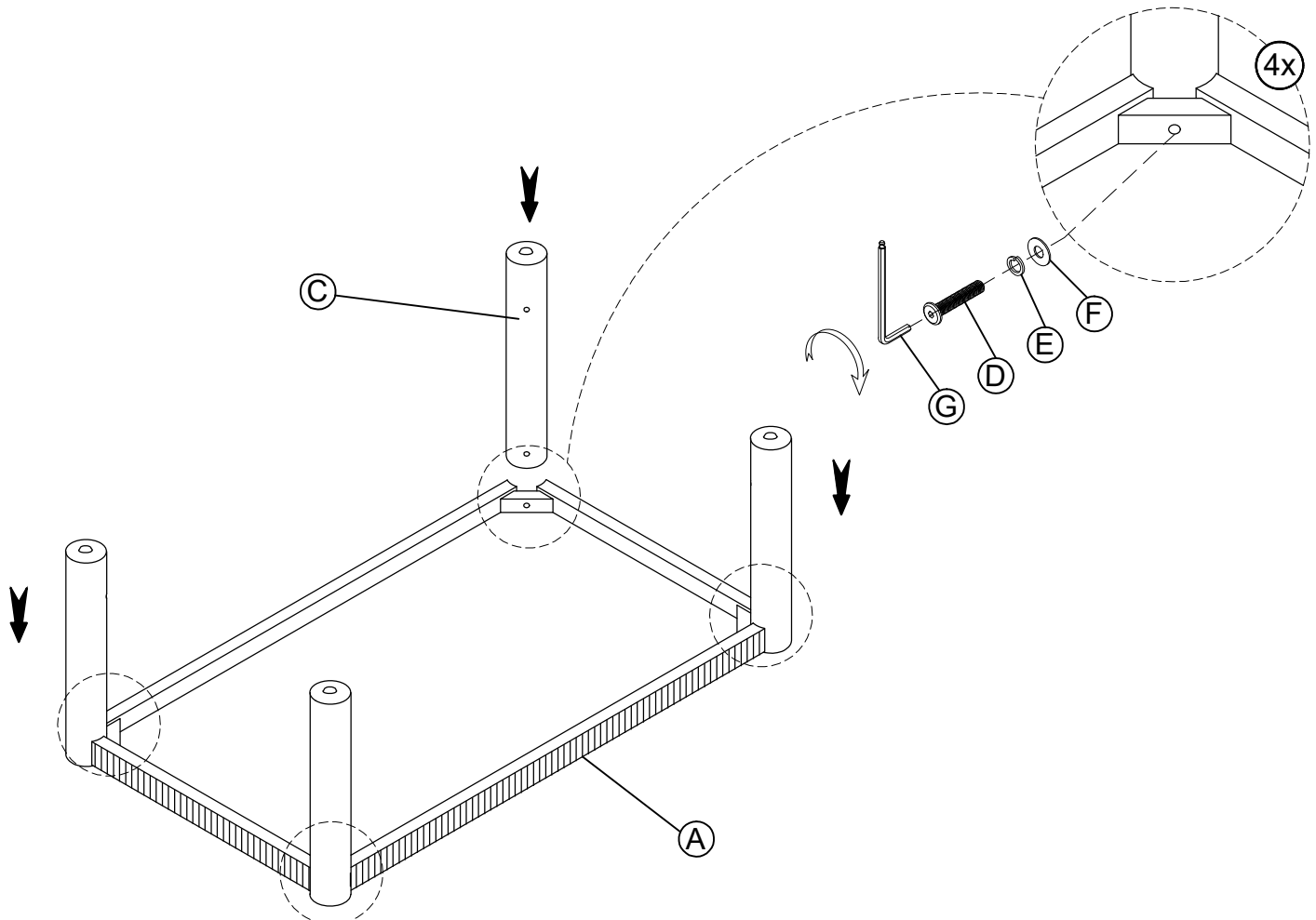


30702  
Woven Rectangle Cocktail

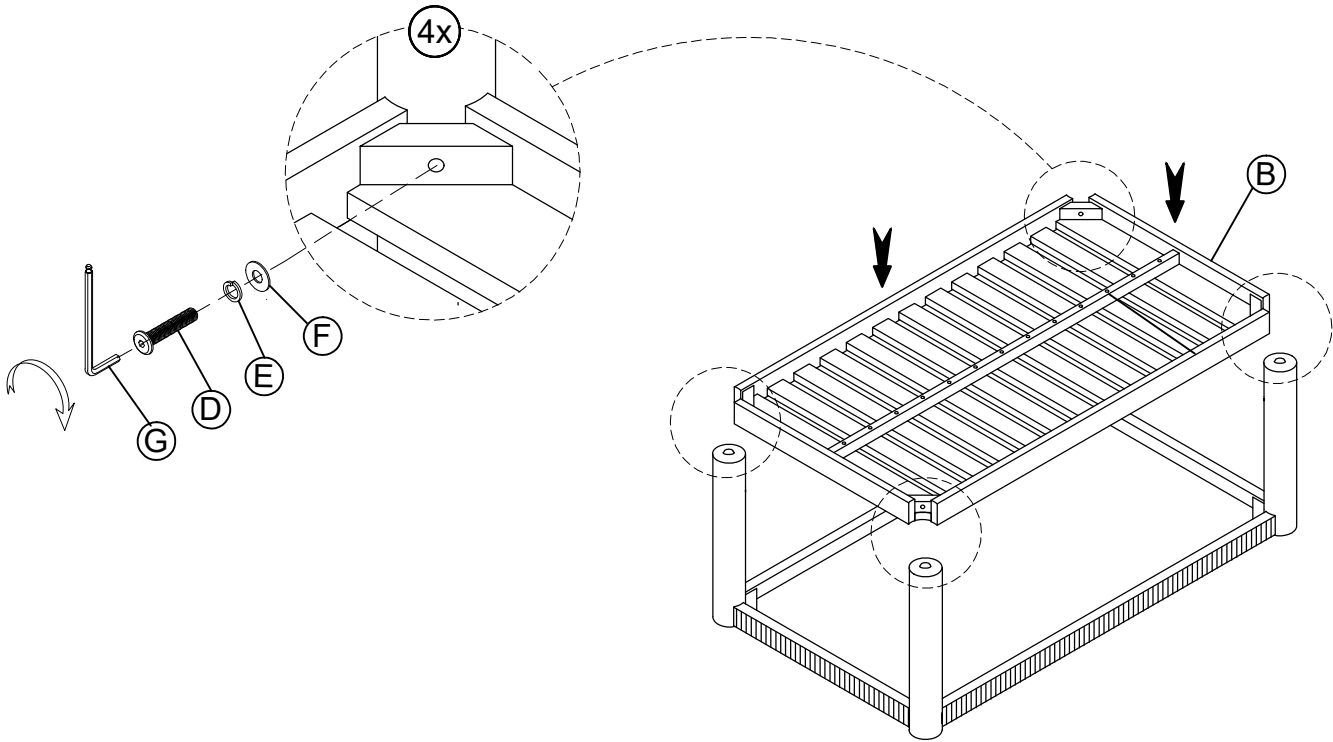
**Components and Hardware List**

<p>Top Table</p>  <p><b>(A)</b> 1 pc.</p>	<p>Shelf</p>  <p><b>(B)</b> 1 pc.</p>	<p>Leg</p>  <p><b>(C)</b> 4 pcs.</p>	<p>Allen Head Bolt M6-32 x 50mm</p>  <p><b>(D)</b> 8 pcs.</p>	<p>Lock Washer Ø9 x Ø13mm</p>  <p><b>(E)</b> 8 pcs.</p>	<p>Flat Washer Ø6 x Ø13mm</p>  <p><b>(F)</b> 8 pcs.</p>	<p>Allen Key 4 x 110mm</p>  <p><b>(G)</b> 1 pc.</p>
--	---	--	--	---	--	--

**STEP 1: Do not fully tighten all bolts**



STEP 2: Using the Allen Key to tighten all bolts



Complete

